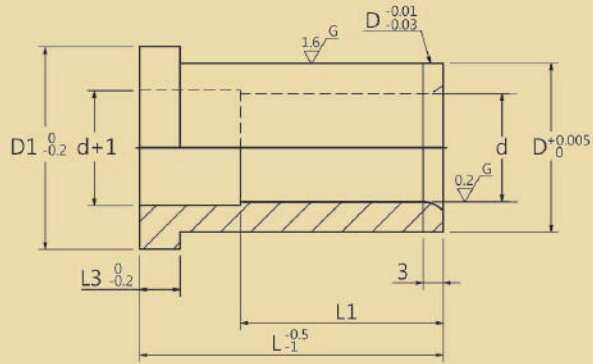


HAB028



※For alterations please refer to P.159
 追加加工選項請參考P.159

-Material
 -Heat Treatment
 -Hardness
 -Delivery

SUJ2(1.3505)
 Induction Hardened
 HRC58~
 5 Working Days

-材質
 -熱處理
 -硬度
 -交貨日

軸承鋼
 整體淬火
 HRC58~
 5 個工作日

Order No.	d	TOL.	D	D1	L	L1	L3
HAB028-001-L	8	$\begin{matrix} 0 \\ -0.005 \end{matrix}$	12	14	15/20/25	L1=L≤15	5
HAB028-002-L	10		14	16	15/20/25/30/35/40	L1=L≤20	5
HAB028-003-L	12	$\begin{matrix} -0.005 \\ -0.010 \end{matrix}$	18	22	15/20/25/30/35/40/45/50	L1=L≤25	5
HAB028-004-L	13		20	25	15/20/25/30/35/40/45/50	L1=L≤25	5
HAB028-005-L	16		25	30	15/20/25/30/35/40/45/50/60	L1=L≤30	6
HAB028-006-L	20	$\begin{matrix} -0.010 \\ -0.015 \end{matrix}$	30	35	15/20/25/30/35/40/45/50/60	L1=L≤40	8
HAB028-007-L	25		35	40	25/30/35/40/45/50/60	L1=L≤50	8

Order Ex : HAB028-001-L

┆ ┆ ┆ Length of Bushing 導套長度